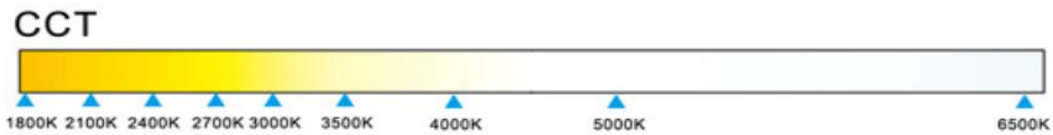




## 产品规格书

# COB LED STRIP LIGHT



深圳市炫鼎光电科技有限公司  
地址：广东省深圳市龙华区观湖街道金倡达科技园H栋六楼  
电话：13714587760

**Shenzhen Xdlumen Optoelectronic Technology Co.,Ltd.**  
6th floor, Building H, Jinchangda Industrial Park,  
Shangwei, Zhangkeng path, Guanhu street, Longhua  
District, Shenzhen, China  
Tel: 13714587760



CUSTOMER (客户): \_\_\_\_\_

PRODUCT SERIES (产品系列): \_\_\_\_\_ **COB 灯带** \_\_\_\_\_

PRODUCT NUMBER (产品型号): \_\_\_\_\_ **XD-FCOB-8mm-24V-480-\*\*\*\*-B** \_\_\_\_\_

DESCRIPTION (产品描述): \_\_\_\_\_ **8mm 宽 DC24V 拉胶 480 灯/米 10W/米** \_\_\_\_\_

ORDER DATE (送样日期): \_\_\_\_\_

批准	审核	制定

**客户确认栏**

批准	审核	测试
意见:		
日期:		



## DIRECTORY 目录

1、Product presentation 产品简介 .....	- 4 -
2、Product features 产品特征 .....	- 4 -
3、Application 应用领域 .....	- 5 -
4、Product size and appearance drawing 成品尺寸及外观图 .....	- 6 -
5、Order code 订购代码 .....	- 7 -
6、Definition of product number 产品型号释义 .....	- 7 -
7、Product Parameter 产品参数(Ta=25±5℃) .....	- 8 -
8、Distribution curve/ illuminance diagram 配光曲线图/等照度图 .....	- 8 -
9、Packaging information 包装信息 .....	- 9 -
9-1 Label Information white light strips 白光灯带标签信息 .....	- 9 -
9-2 packaging proceXD Information 包装示意图 .....	- 9 -
9-3 Packaging Qty information 包装信息 .....	- 9 -
10、Schematic diagram of electrical connection 电气连接示意图 .....	- 9 -
11、Installation instructions 安装步骤说明 .....	- 10 -
12、Matters needing attention 使用注意事项 .....	- 10 -
13、Common faults and troubleshooting methods 常见故障及其排查方法 .....	- 11 -
14、Statement 免责声明 .....	- 12 -
15、Revision History 版本历史 .....	- 12 -

## 1、Product presentation 产品简介

This product is COB LED strip light, use film led chip as light source, the light all through the chip surface coverage arc fluorescent colloid and substrate surface coating of high reflection refraction ink out, achieve intensive continuous luminous effect. Largest lighting angle up to 180°, the thickness of only 1.5mm, minimum bending radii 2cm.

本产品为 COB LED 灯带，使用倒装 LED 晶片作为光源，光线全部通过晶片表面覆盖的弧形荧光胶体和基板表面的高反射油墨折射出去，达到密集连续的发光效果。照明角度最大可达 180°，灯带厚度仅 1.7mm，最小弯折半径可达 2cm。



## 2、Product features 产品特征

- ◆ High density, the light is even and soft
- ◆ High efficiency, remarkable energy saving effect
- ◆ The maximum luminous angle is 180°
- ◆ This product is have no harmful substances and complies with ROHS environmental standards
- ◆ Chip longitudinal distribution, high reliability;
- ◆ Product have good color rendering consistency  
CRI better than 80 (90 optional)  
SDCM is less than 5 steps
- ◆ Protection grade: IP20

- ◆ 色容差小于 5 步
- ◆ 产品防护等级 IP20

- ◆ 高密度，光线均匀柔和
- ◆ 高光效，节能效果显著
- ◆ 发光角度最大可达 180°
- ◆ 产品不含有害物质，符合 RoHS 环保标准
- ◆ 芯片纵向分布，可靠性高
- ◆ 色彩一致性好，显指大于 80（90 可选）

### 3、Application 应用领域

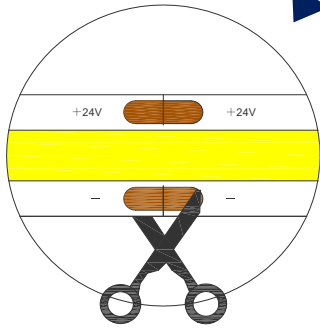
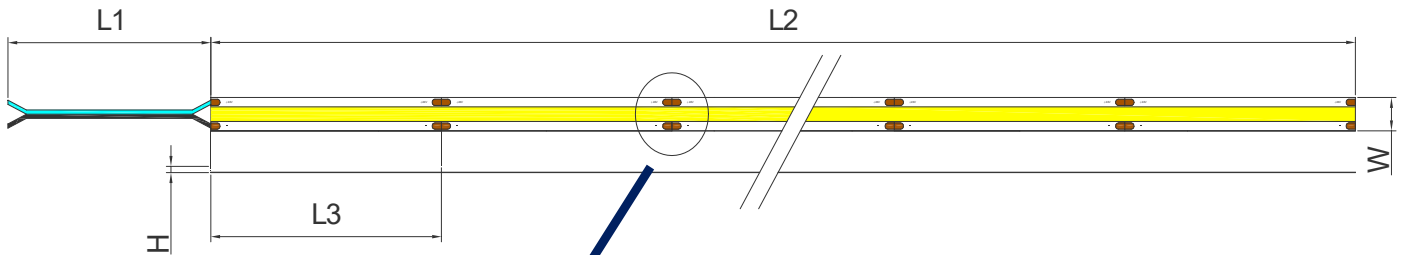
This product is suitable for hotels, shopping malls, home furnishing, cabinets, exhibition racks, etc., cooperate with aluminum profile can be used for main lighting, indirect lighting, dark slot lighting, outline drawing, decorative lighting and other purposes.

本产品适用于酒店、商场、家居、橱柜、展架等，配合铝型材做主照明、间接照明、暗槽照明、轮廓勾勒、装饰照明等用途。



#### 4、Product size and appearance drawing 成品尺寸及外观图

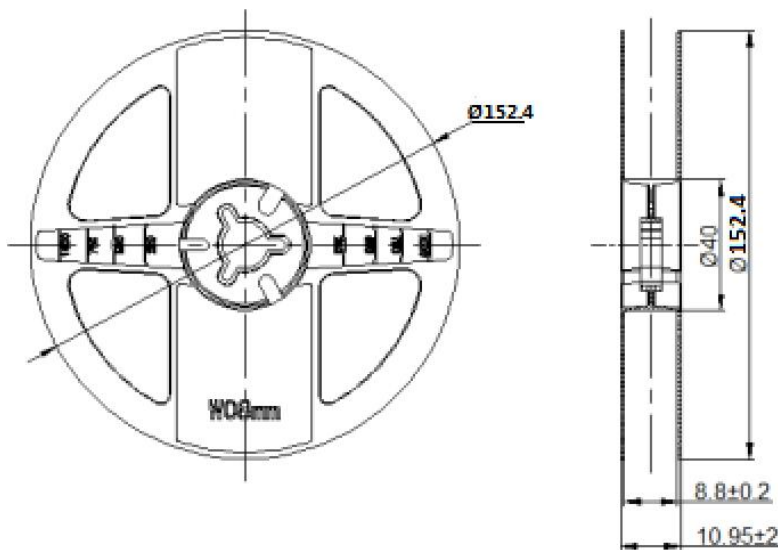
##### 4.1 light strip 灯带尺寸



Note : The strips can be easily cut and used  
灯带可被剪断使用

L1 mm[inch]	L2 mm[inch]	L3 mm[inch]	W mm[inch]	H mm[inch]
150[5.91]	5000[196.85]	50[1.97]	8[0.315]	2[0.079]

##### 4.2 Reel size 卷盘尺寸



Note : The dimensions marked are typical values, unit is mm

注意：尺寸均为典型值，单位 mm



## 5、Order code 订购代码

### 5.1 The white light strips order code 白光灯带订购代码

Order code 订购代码	灯带尺寸 Light strip Size(mm)	每米灯珠数 Led Qty/M	色温 CCT (K)	显指 Ra	色容差 SDCM (Step)	电压 Voltage (V DC)	功率 Power (W/M)
XD-FCOB-8mm-24V-480-2780-B	5000x 8	480	2700K	≥ 80	≤ 5	24	10
XD-FCOB-8mm-24V-480-3080-B			3000K				
XD-FCOB-8mm-24V-480-4080-B			4000K				
XD-FCOB-8mm-24V-480-6580-B			6500K				
XD-FCOB-8mm-24V-480-2790-B			2700K	≥ 90			
XD-FCOB-8mm-24V-480-3090-B			3000K				
XD-FCOB-8mm-24V-480-4090-B			4000K				
XD-FCOB-8mm-24V-480-6590-B			6500K				

## 6、Definition of product number 产品型号释义

The P/N consists of 8 regions as follows: 本产品编码由 8 个区组成如下所示:

For example: XD-FCOB-8mm-24V-480-3080-B

XD - DCOB - □□□ - □□□ - □□□ - □□ □□ - \*  
 ①      ②      ③      ④      ⑤      ⑥      ⑦      ⑧

①: 公司代码

②: 产品类型代码, 如 FCOB 为拉胶 COB 灯带, DCOB 为单点 COB 灯带

③: 灯带基板宽度

④: 灯带电压

⑤: 灯珠数

⑥: 色区代码, 如 27 代表 2700K, 30 代表 3000K

⑦: 显色指数代码, 如 80 代表 Ra>80, 90 代表 Ra>90

⑧: 附加码



## 7、Product Parameter 产品参数(Ta=25±5°C)

表 7-1 Electrical parameters of white light strips 白光灯带电气参数

型号 P/N	额定电压 Voltage	每米功率 Power/M	每米电流 Current/M	每米光通量 Flux/M	色温 CCT	显色指数 Ra
XD-FCOB-8mm-24V-480-***80*-B	DC 24V	10w	0.42A	700-800	2700K	≥80
				750-850	3000K	
				850-950	4000K	
				850-950	6500K	
XD-FCOB-8mm-24V-480-***90*-B				650-750	2700K	≥90
				700-800	3000K	
				800-900	4000K	
				800-900	6500K	

Note : (1) Luminous flux error range ±10%

(2) Color temperature error range ±50K

(3) Color rendering index error range ±2%

(4) This light strip flux is cool lumens

(5) test environment temperature to room temperature to 25 + 2 °C;

备注: 1. 光通量误差±10

2. 色温误差±50K

3. 显色指数误差±2

4. 光通量是冷流测试

5. 测试环境温度为常温 25±2°C;

表 7-3 Characteristic parameters of light strips 灯带特性参数

型号	防护等级	工作温度(°C)	存储温度(°C)	标准长度(m/reel)	灯带宽度(mm)	可剪长度 Min (mm)	可剪段数 EA
XD-FCOB-8mm-24V-480-****-B	IP20	-20~+45	-25~+70	5	8	50	100

Note: (1) test environment temperature to room temperature to 25 + 2 °C;

(2) the above data are typical values,

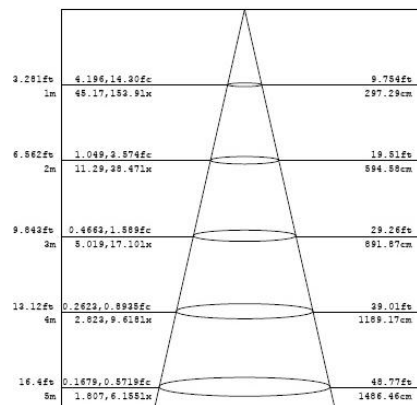
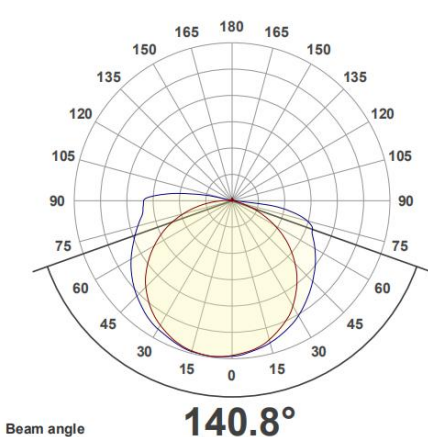
(3) length error range ±0.5mm/m, width error range ±0.1mm

测试环境温度为常温 25±2°C;

以上数据为典型值, 产品的实际参数可能会不同于典型数据

长度误差±0.5mm/m,宽度误差±0.1mm

## 8、Distribution curve/ illuminance diagram 配光曲线图/等照度图





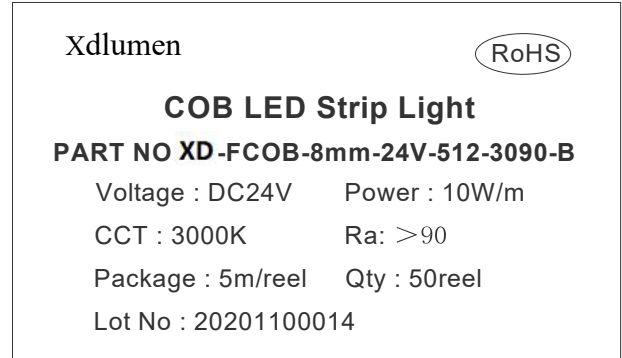


## 9、Packaging information 包装信息

### 9-1 Label Information white light strips 白光灯带标签信息



product label of tray box 产品内标签

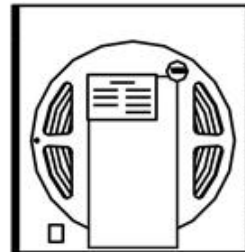


product label of out box 外箱标签

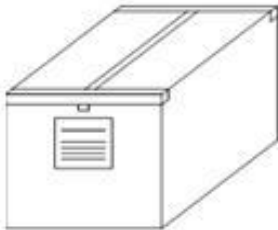
### 9-2 packagina proceXD Information 包装示意图



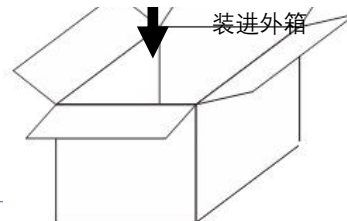
Roll the lamp tape into the reel  
把灯带卷入卷盘



Put it on tray box and stick label  
把卷盘吸塑盒  
贴上标签  
cartons



Sealing and stick label  
封外箱, 贴外箱标签



装进外箱

### 9-3

装信息

Reel length (m)	Length/m reel	总重量 (Kg) Total weight	Length 长	Wide 宽	High 高
50	5	6.5	520	300	220

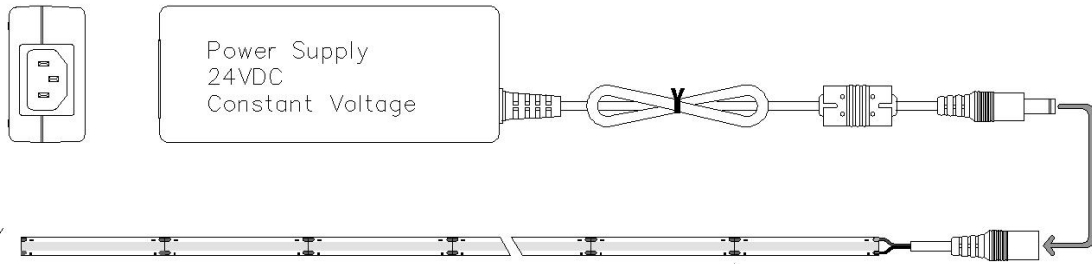
Note: the quantity and weight of the above packages are only according to the packaging method shown in the picture. There will be differences between the quantity and weight of the packages when other packaging methods are used. The actual product shall prevail.

备注: 上述包装数量和重量只针对图示包装方式, 当为其它包装方式时包装数量和重量会存在差异, 具体以实物为准。

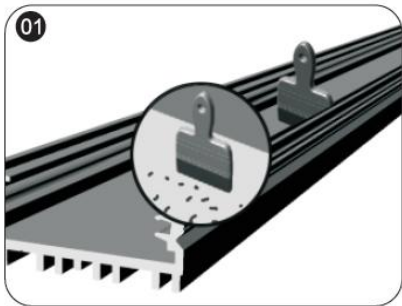
## 10、Schematic diagram of electrical connection 电气连接示意图

Note: Make certain light strips is connected to the power supply with correct polarity. In general, the red line is positive and the black line is negative. The maximum connection length is 5M

注意: 灯带与电源极性正确连接, 一般情况红色线为正极, 黑色线为负极, 连接最大长度为 5M.

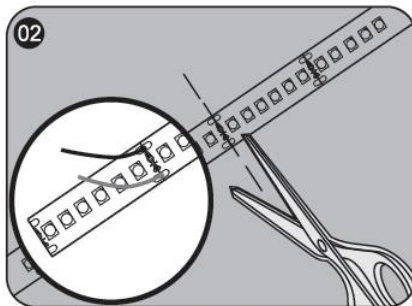


## 11、Installation instructions 安装步骤说明

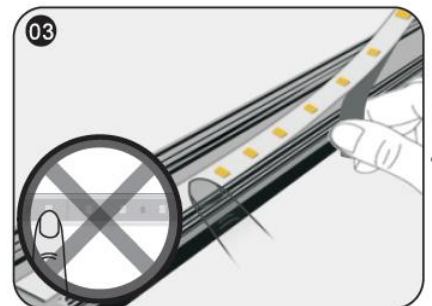


surface is clean.

对安装表面上的杂物进行清理，确保表面清洁



测出灯带需要安装的长度，将多出的灯带沿剪刀标注线处剪断

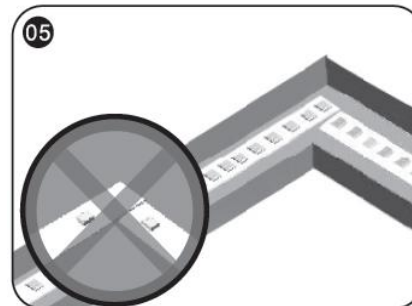


off all the parting paper at one time, so as to avoid the lamp tape sticking



groove in contact with the area of Mylar Film isolation, so as to avoid a short circuit.

灯带剪刀口位与型材内槽底面接触的地方贴麦拉胶纸隔离，以免短路。



Note: do not fold into a right Angle. Do not bend directly onto the profile surface

拐角处灯带安装如上图所示

△注意：

严禁折成直角

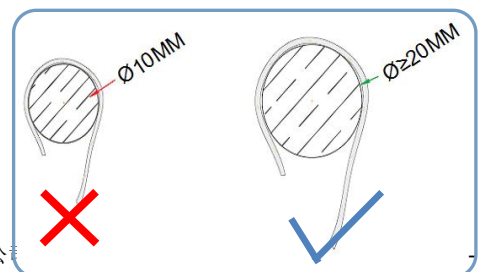
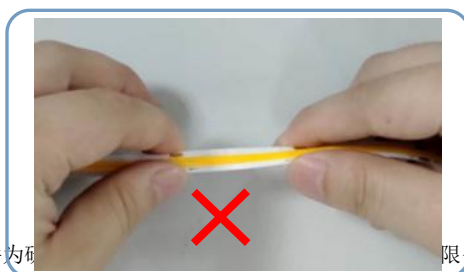
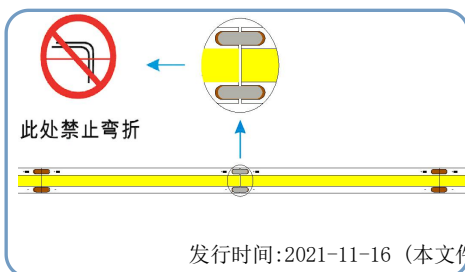
严禁直接折弯贴于型材表面



supply output. Insulation, short circuit protection and corrosion protection should be done at the terminal and terminal.

灯带安装好后，灯带导线连接在电源输出端。在接线端、端头处做好绝缘、防短路和防腐蚀处理。

## 12、Matters needing attention 使用注意事项





It is forbidden to bend at the welding position of the lamp belt  
 严禁在灯带焊接位置进行弯折

It is strictly prohibited to distort the lamp belt products in a short distance.  
 The maximum distort angle of a single lamp belt 1 m is 720°  
 严禁短距离扭曲灯带产品，  
 单条灯带（1米）最大扭曲角度 720°

Bending diameter at any position should be greater than 2cm  
 任意位置折弯直径需大于 2cm

**Note :**

- 1) Pay attention to the protection of the LED light strip, avoid contact with hard and sharp objects in the luminous area
- 2) Avoid direct contact with high-temperature objects in the luminous area of the lamp belt. The instantaneous contact temperature of the luminous area surface should be less than 210°C
- 3) The soldering iron temperature should be less than 400°, and the welding time of a single pad should be controlled within 2s
- 4) 注意保护 LED 灯带，避免发光区接触尖锐物品
- 5) 避免灯带发光区直接接触高温物体，发光区表面瞬接触温度要小于 210°C
- 6) 焊接时烙铁温度需小于 400°，单个焊盘焊接时间请控制在 2s 以内

**13、Common faults and troubleshooting methods 常见故障及其排查方法**

Fault 故障现象	Possible reason 可能原因	Solution 解决方法
All strips are off 所有灯不亮	The power grid is out or the main power switch is not pushed. 市电没供电	Call the power board or turn on the power switch 送电
	The power supply is protected automatically after the adapter output is open or short 开关电源输出端开路或短路后电源自动保护	Troubleshooting short circuit fault 排除故障并重新供电
	The power supply end of the light strip is polarity reversed 灯带供电端极性接反	Check the state of wire connection to make sure the anode and cathode are connected correctly 检查导线连接状态，保证正负极连接正确
Some of the strips are off 部分灯不亮	Part of the drive is not powered 部分开关电源没有供电	Check the power supply system for trouble shooting 检查供电系统，排除故障
	Part of the lamp belt power supply line error 部分灯带供电线路出错	
	Part of the lamp has reversed polarity 部分灯带极性接反	Correct connection 正确接线
LED brightness is uneven or insufficient	Overload of power load and overload protection 电源负载超载	Replace more powerful power supply according to load 根据负载更换功率更大的电源



LED 亮度不一或者亮度不够	Switching power line loXD is too large or the line loXD difference is too big 开关电源线路损耗过大或各线路损差别大	<p>1.Ensure that the operating voltage of the lamp belt is within <math>\pm 5\%</math> of the rated voltage</p> <p>2.Cut short the power supply and light strip to see the length of the power cord or use a wire with a larger wire diameter;</p> <p>3.Ensure that the number of fragment per lamp strip is leXD than or equal to the maximum allowable number of cascades, and make the number of fragment per lamp strip similar.</p> <p>保障灯带工作电压在额定电压的<math>\pm 5\%</math>以内</p> <p>1.剪短电源与灯带见电源线的长度或使用线径更大的导线;</p> <p>2.保障每路灯带数量小于等于最大允许级联数, 并使每路灯带级联数量相近。</p>
	The number of lamp strips connection is too much 灯带串接数量过多	<p>Adjust the number of lamp strips for each power supply branch to meet the requirement of maximum allowable lamp strip cascade for each power supply loop.</p> <p>调整每个供电支路的灯带数量, 满足每个供电回路在最大允许灯带级联要求内。</p>
LED flashing	bad connection 接线点接触不良	Find out the bad contact point and troubleshoot. 找出接触不良点, 排除故障。
LED 闪烁	power supply failure 开关电源故障	Change power supply 更换开关电源

#### 14、Statement 免责声明

- 1.If the external cord of the product is damaged, the cord shall be replaced by the manufacturer or its service agent or a person of similar qualification to avoid danger.
- 2.Please refer to the product instructions for specific installation arrangement and precautions.
- 3.The data given in this specification is based on the standard products. The actual products may be different. Please refer to the measured products.
- 4.All product drawings in this specification are schematics. The actual products may be different. Please refer to the actual products.

- 1.如果本产品的外部软线损坏, 该线由制造商或其服务代理商或有类似资格的人更换, 以免产生危险。
- 2.对于产品具体安装布置和注意事项请以产品使用说明书为准。
- 3.本规格书中所给定数据以标准品为基础, 实际出货品可能会有差异, 请以实测品为准。
- 4.本规格书中所有产品图均为示意图, 实际出货品可能会有差异, 请以实物为准。



## 15、Revision History 版本历史

Version 版本	Revise date 修改日期	Revise detail 修改内容
V1.0	2021.11.16	ALL