



# Full-spectrum SMD LED Series

## Product Data Sheet



DESIGNED	CHECKED	APPROVED	CUSTOMER	REV.
2020.08.13	2020.08.13	2020.08.13		2020.08.13
QINYALI	ZHAOSHENGLI	HEYIDE		A02

# Introduction

## 2835 package with Full-spectrum

The XDLumen 2835 Full-spectrum series boasts the efficacy and reliability required by the desk lamp markets. It delivers optimized performance in combination with the Quality of Light needed for distributed light source applications in four performance levels. In addition to offering specified correlated color temperature and color rendering combinations, XDLumen 2835 series is available in five products

## FEATURES AND BENEFITS

- ❖ Supports ENERGY STAR lumen maintenance certification requirements
- ❖ Low thermal resistance, Low Voltage, Superior Lumen, High light efficiency
- ❖ Full spectrum configurations for design flexibility
- ❖ ANSI color binning delivers tight color control
- ❖ According to McAdam spectroscopic color separation,SDCM<5
- ❖ Minimum color tolerance is less than 3 step

## APPLICATIONS

Indoor lighting

Health lighting

Desk Lighting

Decorative Lighting

## 目录

Typical Electrical & Optical Characteristics( T = 25°C).....	3rd
Typical Electrical & Optical Characteristics( T = 25°C).....	3rd
Typical Electrical Characteristics( T = 25°C).....	3rd
Absolute Maximum Rating( T = 25°C).....	4th
Part Number Nomenclature .....	5th
LED Classification standard .....	6th
VF bincode .....	6th
Lumen bincode .....	6th
Color Binning Information .....	7th
Spectral Power Distribution Characteristics .....	8th
Typicalelectrical characteristic curve .....	9th
Product Packing Dimensions (Unit:mm) .....	10th
Solder Pad Design (Unit:mm) .....	10th
Product Packing (Unit:mm) .....	11th
Application notes .....	12th
SMT Reflow Soldering Instructions .....	15th
About Xdlumen .....	16th

## Typical Electrical & Optical Characteristics( T = 25°C)

Item	Condition	Symbol	Min	Avg	Max	unit
Forward Current		I <sub>f</sub>	---	60	150	mA
Reverse Current	5V	I <sub>R</sub>	---	---	1	μA
View Angle	60mA	Θ1/2		120		°

## Typical Electrical & Optical Characteristics( T = 25°C)

CCT	LumenFlux		Efficacy(lm/W)	X,Y	RA
	min	avg			
2700K	18	20	114	0.4578,0.4101	95
3000K	20	22	117	0.4338,0.403	95
4000K	20	22.8	125	0.3818,0.3797	95
5000K	20	22.5	123	0.3447,0.3553	95
5700K	20	22.4	120	0.3287,0.3417	95
6500K	20	22.3	120	0.3123,0.3282	95

## Typical Electrical Characteristics( T = 25°C)

Item	Condition	Symbol	Min	Avg	Max	unit
Forward Voltage	60mA	V <sub>f</sub>	2.9	3.03	3.4	V

1.xdlumen maintains a tolerance of ±0.03V on forward voltage measurements

2.Measured by 25°C .Pulse test

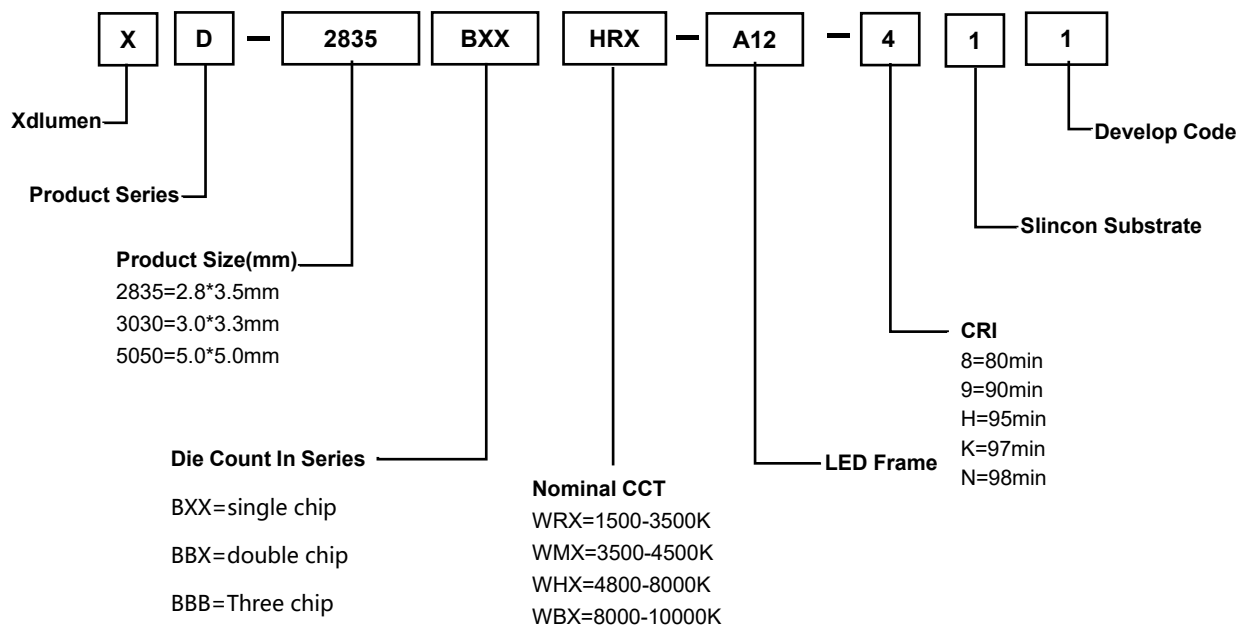
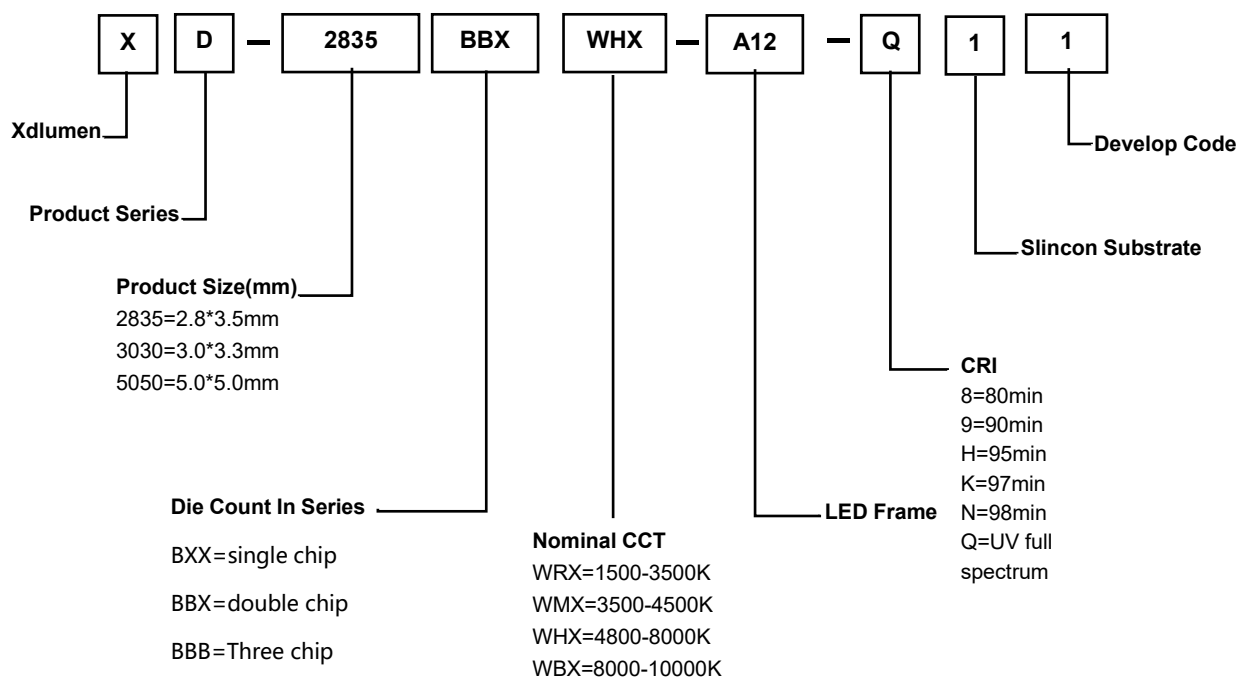
## Absolute Maximum Rating( T = 25°C)

Items	Symbol	Absolute maximum Rating	Unit
Forward Current	$I_F$	60	mA
Pulse Forward Current	$I_m$	150	mA
Inverse voltage	$V_R$	5	V
Consumed Power	$P_D$	176	mW
Operation Temperature	$T_{opr}$	-40 to + 100	°C
Storage Temperature	$T_{stg}$	-40 to + 100	°C
Junction temperature	$T_j$	125	°C
Junction To Solder Pad	$R_{th}$	24	°C/W
ESD Sensitivity	V	2000	V
Soldering Temperature	T	255 (JEDEC 020D)	°C
Allowable Reflow Cycles	Times	2	T
Intersection Temperature	T	80	°C

- 1、 Proper current derating must be observed to maintain the junction temperature below the maximum allowable junction temperature
- 2、 Residual periodic variations due to power conversion from alternating current (AC) to direct current (DC), also called “ripple,” are acceptable if the following conditions are met:
  - The frequency of the ripple current is 100Hz or higher
  - The average current for each cycle does not exceed the maximum allowable DC forward current
  - The maximum amplitude of the ripple does not exceed the maximum peak pulsed forward current
  - At 10% duty cycle with pulse width of 10ms.
  - Proper current derating must be observed to maintain the junction temperature below the maximum allowable junction temperature.

## Part Number Nomenclature

The part number designation for Xdlumen High Lumen Density Series LED arrays is explained as follows:



## LED Classification standard

### VF bincode

Symbol	VF (V)	
	MIN	MAX
V31	2.8	2.9
V32	2.9	3.0
V41	3.0	3.1
V42	3.1	3.2
V51	3.2	3.3

### Lumen bincode

Symbol	Flux(lm)	
	MIN	MAX
QA	18	20
QB	20	22
QC	22	24

1. Test conditions is  $I_F=60\text{mA}$ ,  $25^\circ\text{C}$  ;

2. The error value of  $\lambda_d$  is  $\pm 0.5\text{nm}$

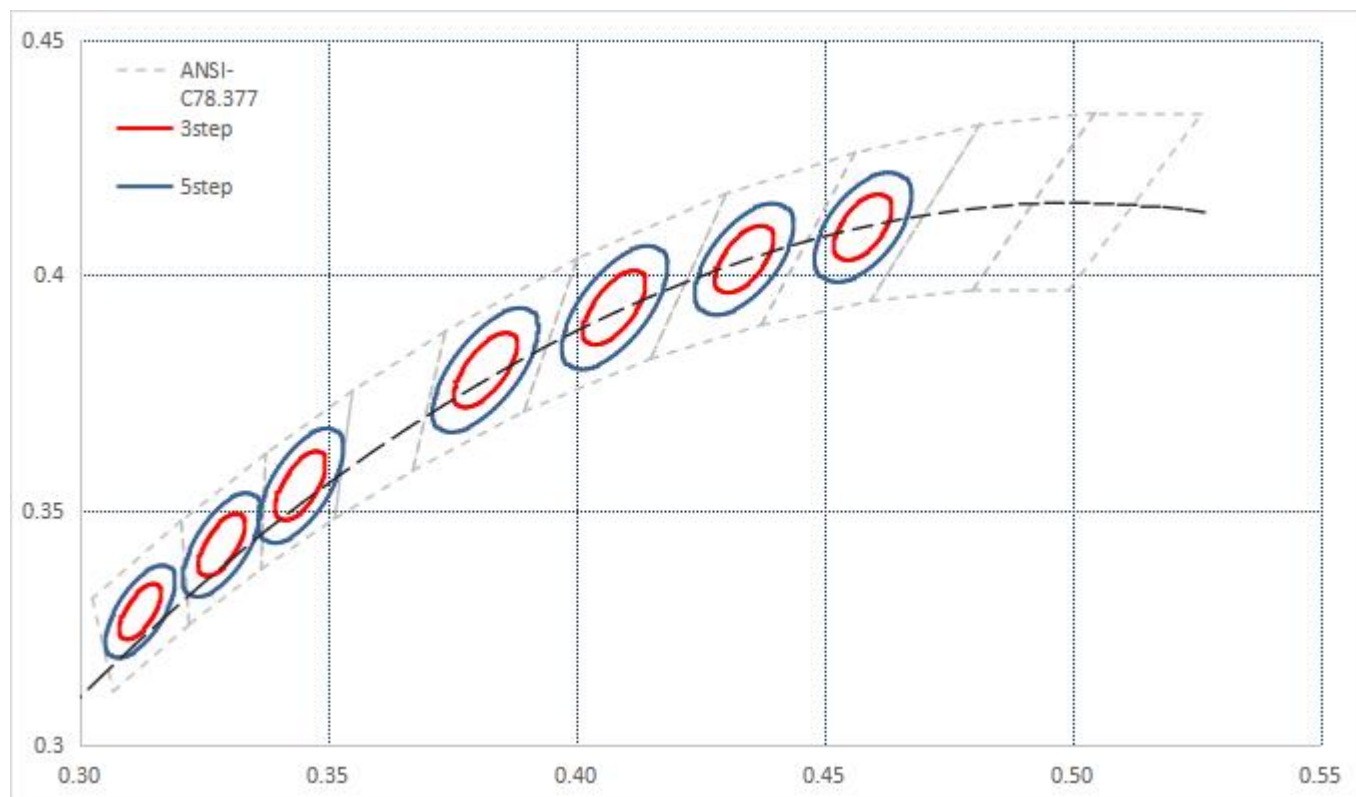
3. IV Lumen error value is  $\pm 0.3\text{lm}$

4. The lumen error of different integrating spheres is about  $\pm 5\%$

5. Vf min hot and max cold values are provided as reference only and are not guaranteed by test. These values are provided to aid in driver design and selection over the operating range of the product.

## Color Binning Information

Figure 1: Graph of Test Bins in CIE1931xy Color Space (Pulsed Test Conditions, Tc = 25°C)



1. The error value of X and Y in the color region is  $\pm 0.001$
2. Test conditions is IF=60mA, 25°C
3. Nominal CCT as defined by ANSI C78.377-2015

**Table 3:** 3-step MacAdam ellipse color bin definitions for Xdlumen CoB Core Range

Nominal CCT	Center Point		MAJOR AXIS (a , b)		Ellipse Rotation Angel, °
	X	Y	3-Step	5-Step	
2700K	0.4578	0.4101	(0.00810, 0.00420)	(0.01350, 0.00700)	53.70
3000K	0.4338	0.4030	(0.00834, 0.00408)	(0.01390, 0.00680)	53.22
3500K	0.4073	0.3917	(0.00927, 0.00414)	(0.01545, 0.00690)	54.00
4000K	0.3818	0.3797	(0.00939, 0.00402)	(0.01565, 0.00670)	53.72
5000K	0.3447	0.3553	(0.00822, 0.00354)	(0.01370, 0.00590)	59.62
5700K	0.3287	0.3417	(0.00747, 0.00321)	(0.01245, 0.00535)	59.09
6500K	0.3123	0.3282	(0.00669, 0.00285)	(0.01115, 0.00475)	58.57



# Spectral Power Distribution Characteristics

Figure1. Typical normalized power vs. wavelength for 95CRI

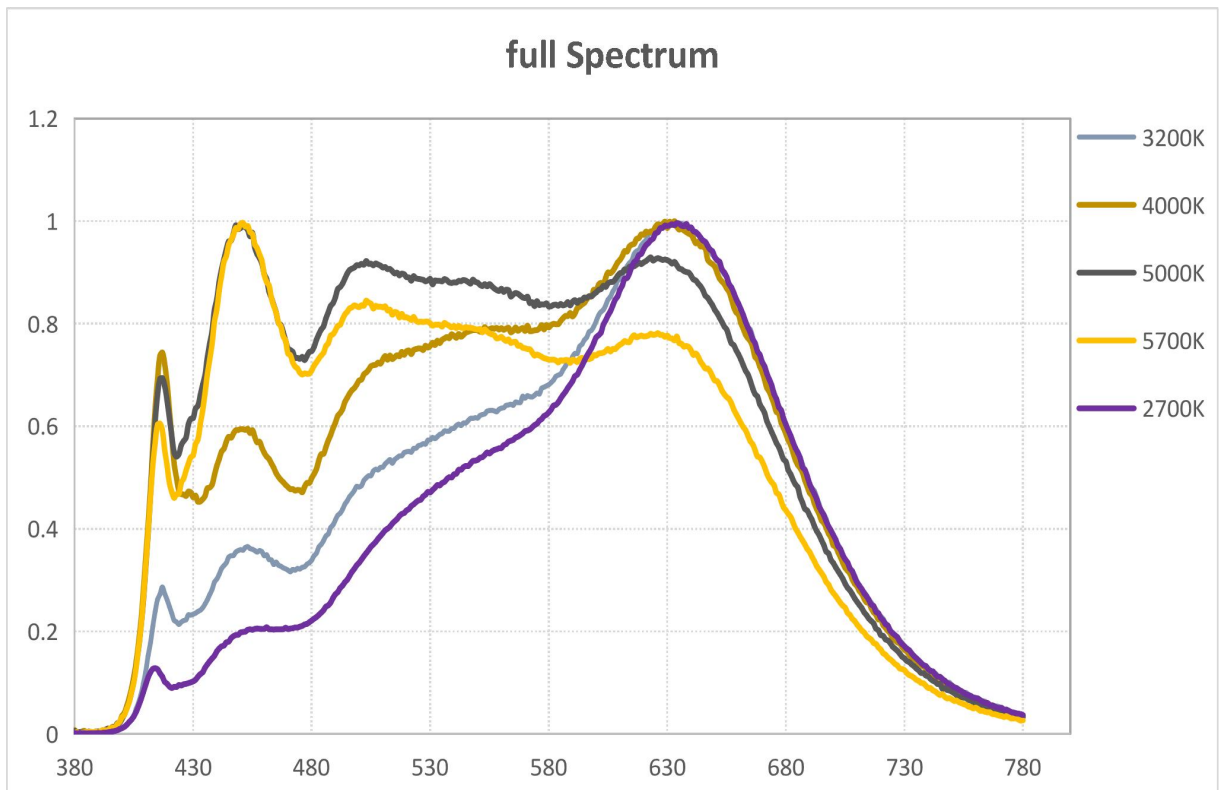
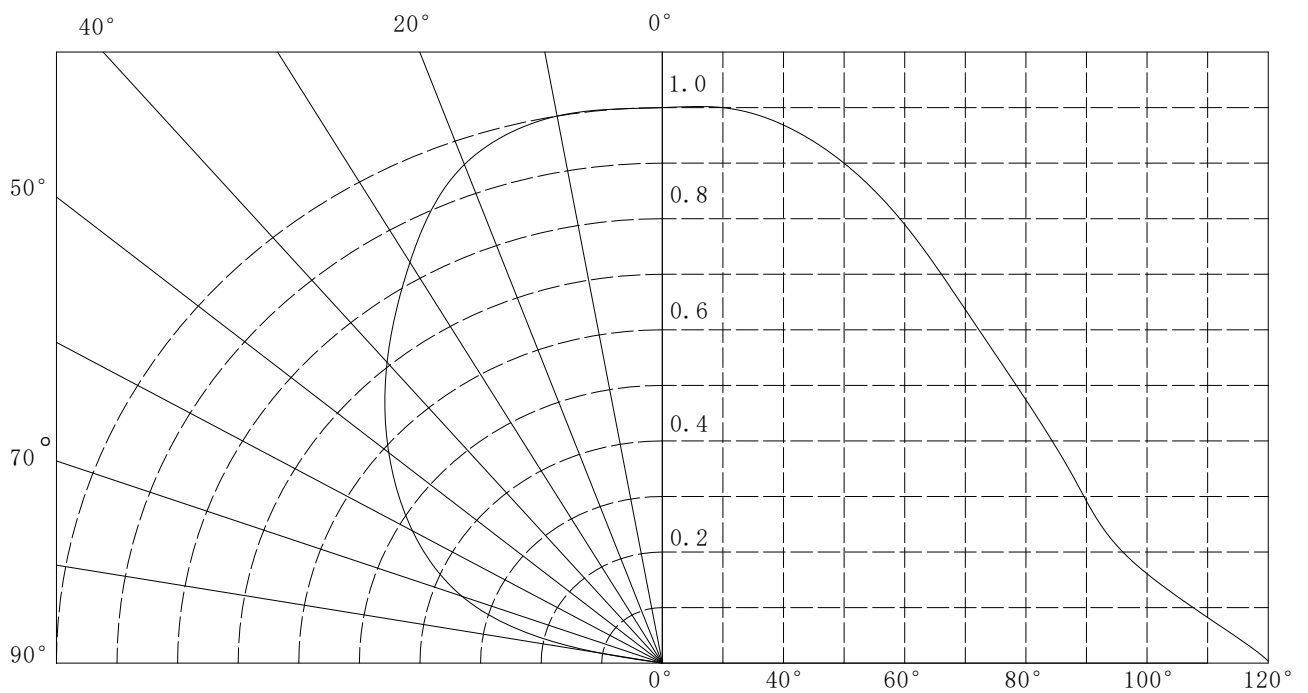


Figure2. Typical Polar Radiation Pattern



## Typical electrical characteristic curve

Figure3. Typical forward current vs. forward voltage

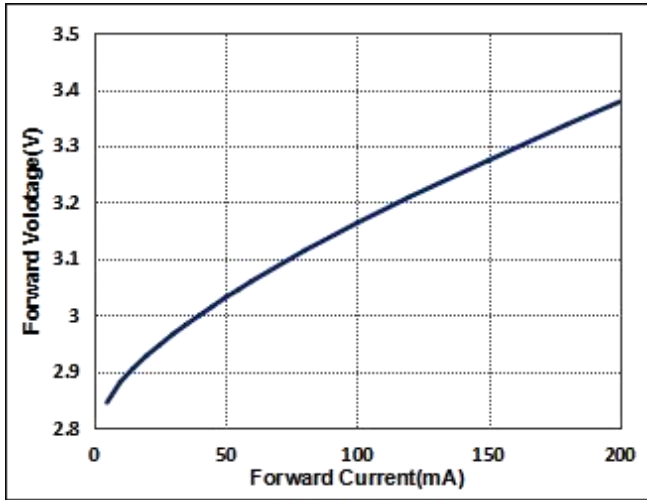


Figure4. Typical normalized light output vs. forward current

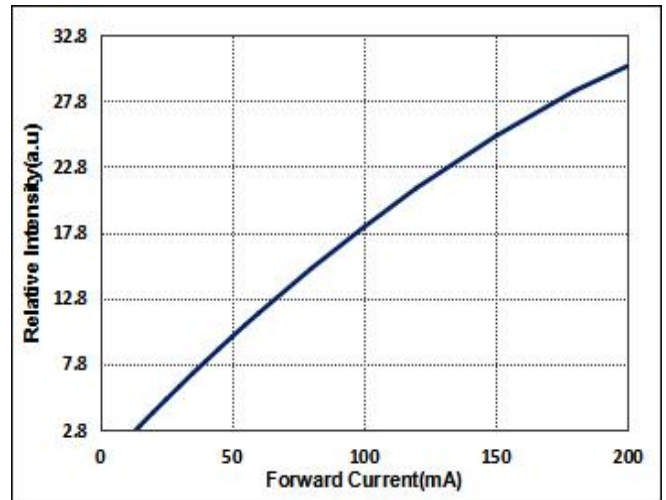


Figure5. Forward Voltage Vs. Case Temperature

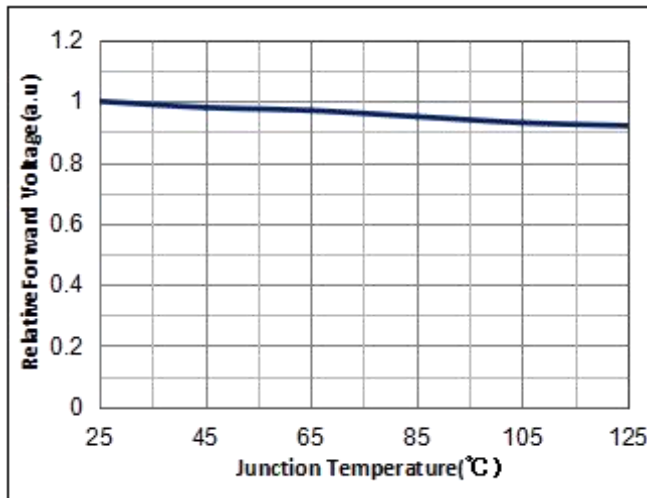
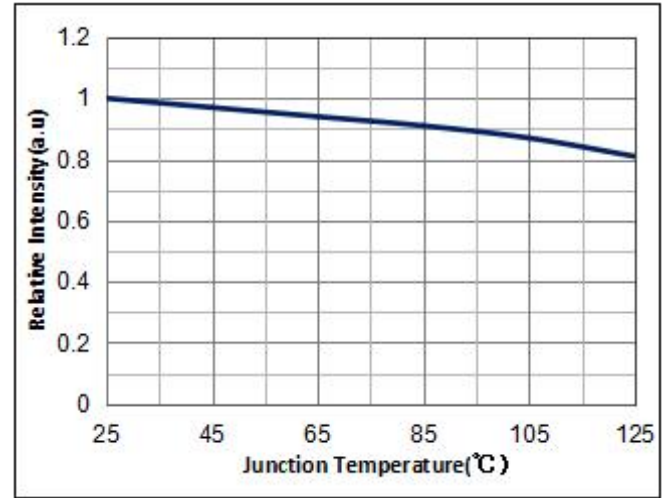
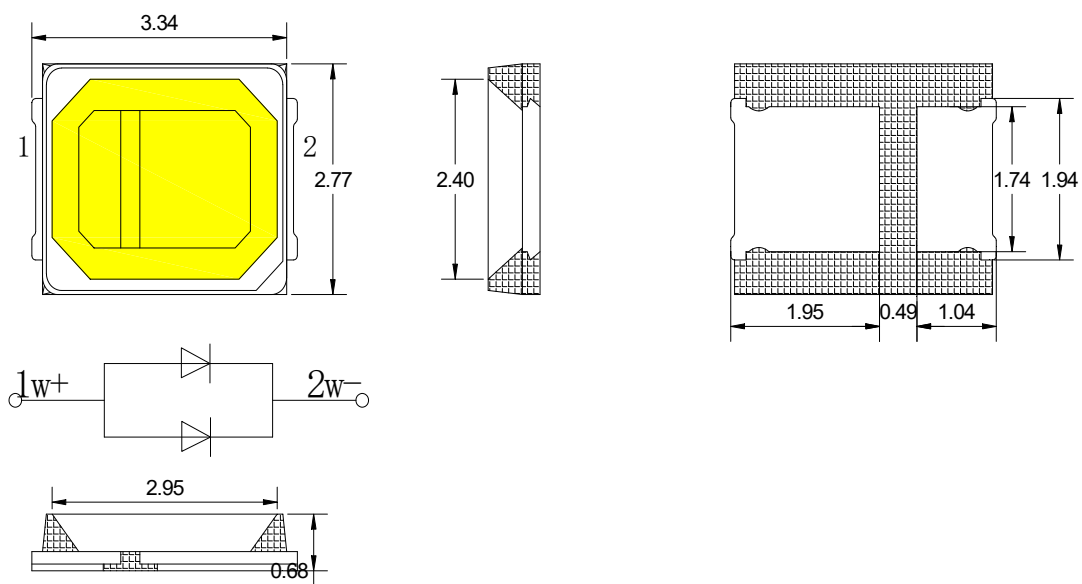


Figure6. Relative Luminous Flux vs. Case Temperature

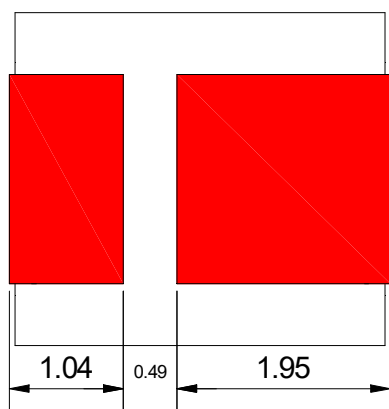


1. Xdlumen does not recommend driving our LED arrays at low currents. Doing so may produce unpredictable results.
2. Products tested based on operation under DC( Direct current) with LED array mounted onto a heat sink with thermal interface material and Tc (case temperature) = 25°C. Base on Xdlumen test set up, values also depending on the thermal design and exposed environment to which the luminaire is subjected.

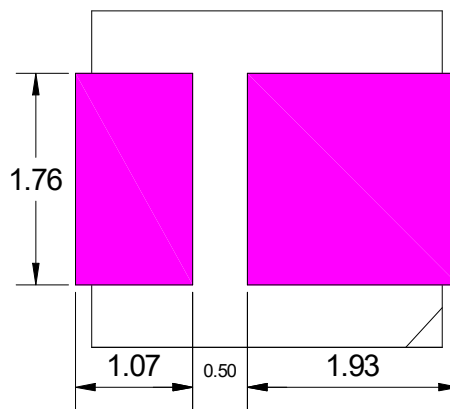
## Product Packing Dimensions (Unit:mm)



## Solder Pad Design (Unit:mm)



Recommended Copper Layout

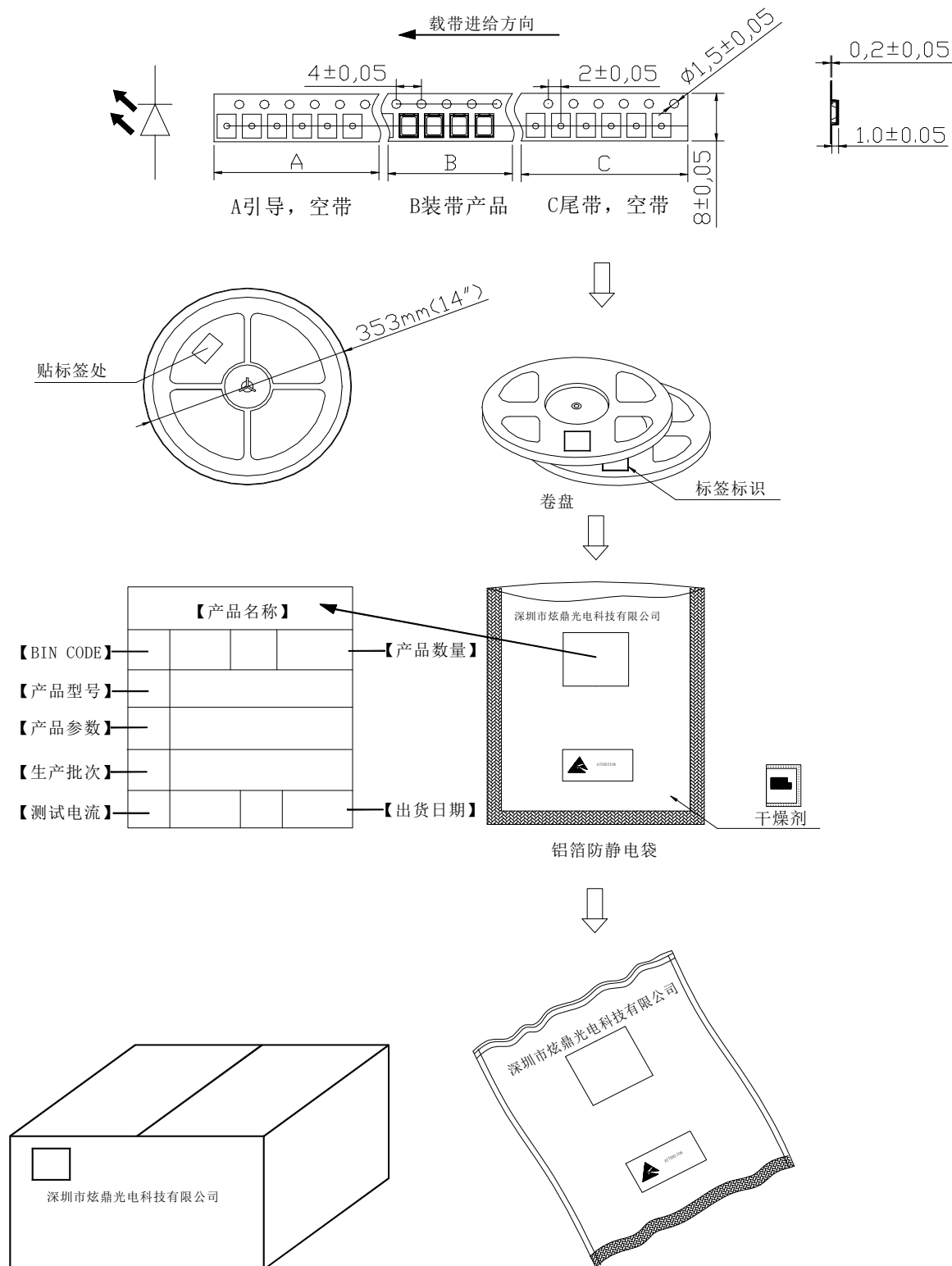


Recommended Solder Pad

1. All dimension tolerance is  $\pm 0.05$ mm unless otherwise noted.

## Product Packing (Unit:mm)

1. The general packaging specifications: 20K/Reel,
2. Static bag packaging, Each package:20K



## Application notes

### 1. Recommended current: 55mA

### 2. Moisture Proof Packing

- ✧ In order to prevent moisture absorption into SMT-LED during the transportation and storage, SMT-LED is packed in a moisture barrier bag. Desiccants and a humidity indicator are packed together with SMT-LED as the secondary protection. The indication of humidity indicator card provides the information of humidity within SMD packing. Humidity sensitive grade 2A

### 3. Storage

- ✧ Shelf life in original sealed bag at storage condition of  $<40^{\circ}\text{C}$  and  $<60\%RH$  is 6 months. Baking is required whenever shelf life is expired.
- ✧ Before unpacking, please check whether there is air leak in the packing bag. After bag opening, the SMT-LED must be stored under the condition  $<30^{\circ}\text{C}$  and  $<50\%RH$ . Under this condition, SMT-LED must be used (subject to reflow) within 24 hours after bag opening, and re-baking is required when exceeding 24 hours.
- ✧ For baking, place SMT-LED in oven at temperature  $60^{\circ}\text{C}\pm 5^{\circ}\text{C}$  and relative humidity  $\leq 10\%RH$ , for 24 hours.

### 4. Cleaning

- ✧ **Don't** use unspecified chemical liquids to clean the SMT-LED; the chemical could harm the SMT-LED. When washing is necessary, please immerse the SMT-LED in alcohol at normal room temperature for less than 1 minute and dry at normal room temperature for 15 minutes before use.
- ✧ The influence of ultrasonic cleaning on the SMT-LED depending on factors such as ultrasonic power and the way SMT-LED are mounted. Ultrasonic cleaning shall be pre-qualified to ensure this will not cause damage to the SMT-LED.

### 5. Electrostatic Discharge and Surge current

- ✧ Electrostatic discharge (ESD) or surge current (EOS) may damage SMT-LED.
- ✧ Precautions such as ESD wrist strap, ESD shoe strap or antistatic gloves must be worn whenever handling of SMT-LED.
- ✧ All devices, equipment and machinery must be properly grounded.
- ✧ It is recommended to perform electrical test to screen out ESD failures at final inspection.
- ✧ It is important to eliminate the possibility of surge current during circuitry design

### 6. Heat Management

- ✧ Heat management of SMT-LED must be taken into consideration during the design stage of SMT-LED application. The current should be de-rated appropriately by referring to the de-rating curve attached on each product specification.

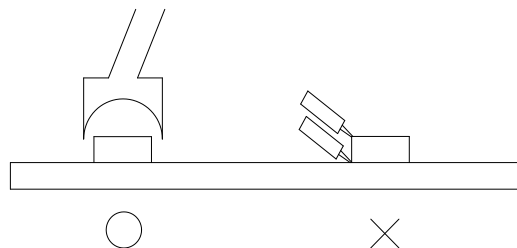
## 7. Soldering

. Manual soldering by soldering iron :

- ✧ The use of a soldering iron of less than 25W is recommended and the temperature of the iron must be kept at below 315°C, with soldering time within 3 seconds.
- ✧ The epoxy resin of SMT-LED should not be in contact with tip of soldering iron.
- ✧ No mechanical stress should be exerted on the resin portion of SMT-LED during soldering.
- ✧ Handling of SMT-LED should be done when the package has been cooled down to below 40°C or less. This is to prevent the SMT-LED failures due to thermal-mechanical stress during handling.

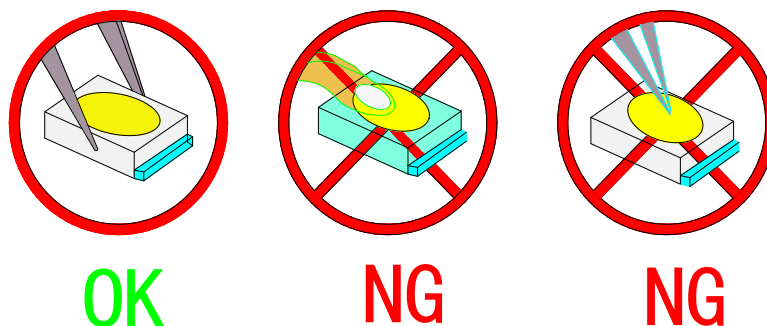
## 8. Repair

- ✧ LED Should not be repaired in reflow, When repair is inevitable, a double-head soldering iron should be used .It should be confirmed in advance whether the characteristics of LEDs will or will not be damaged by repairing;

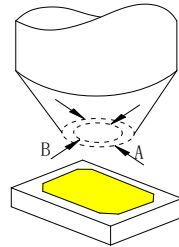


## 9. Handling precautions

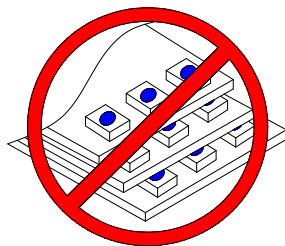
- ✧ Compare to epoxy encapsulant that is hard and brittle, silicone is softer and flexible. Although its characteristic significantly reduces thermal stress, it is more prone to damage by external mechanical force . As a result, Special handling precautions must be observed during assembling using silicone encapsulated LED products, Failure to comply might leads to damage and premature failure of the LED.
- ✧ Handle the component along the side surface by using forceps or appropriate tools; do not directly touch or Handle the silicone lens surface, it may damage the internal circuitry



- ✧ The outer diameter of the SMD pickup nozzle should not exceed the size of the LED to prevent air leaks. The inner diameter of the nozzle should be as large as possible. A pliable material is suggested for the nozzle tip to avoid scratching or damaging the LED surface during pickup. The dimensions of the component must be accurately programmed in the pick-and-place machine to insure precise pickup and avoid damage during production.



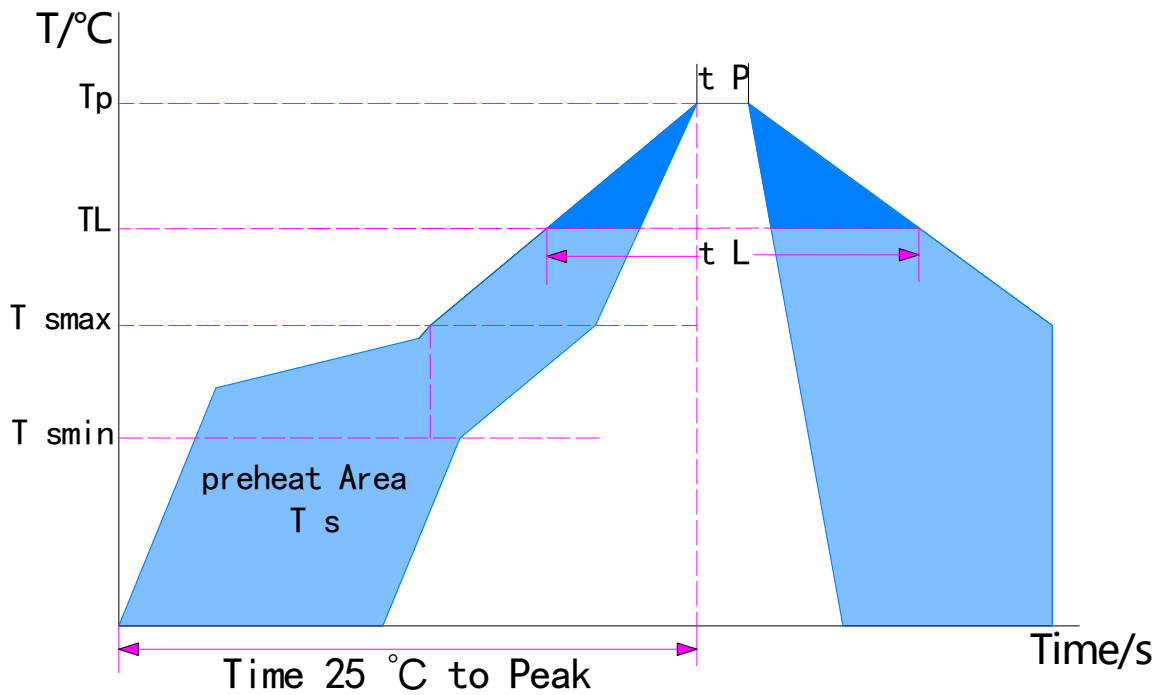
- ✧ Do not stack together assembled PCBs containing LEDs. Impact may scratch the silicone lens or damage the internal circuitry
- ✧ Not suitable to operate in acidic environment, PH<7



- ✧ LED operating environment and sulfur element composition cannot be over 100PPM in the LED mating usage material
- ✧ When we need to use external glue for LED application products, please make sure that the external glue matches the LED packaging glue. Additionally ,as most of LED packaging glue is silica gel, and it has strong Oxygen permeability as well as strong moisture permeability; in order to prevent external material from getting into the inside of LED, which may cause the malfunction of LED, the single content of Bromine element is required to be less than 900PPM,the single content of Chlorine element is required to be less than 900PPM,the total content of Bromine element and Chlorine element in the external glue of the application products is required to be less than 1500PPM
- ✧ When we need to use external glue for LED application products, we need to control the surface temperature under 55°C , As we mentioned at 9-6,the external glue contain Chlorine element, it can destroy the led.

## SMT Reflow Soldering Instructions

### ◇ Suggested Welding Temperature Curve:



PROFILE FEATURE	LEAD-FREE ASSEMBLY
preheat minimumtemperature(min)	140~150°C
maximum temperature(min)	180-200°C
preheat time ( $T_{min}$ - $T_{max}$ )	60-120s
Ramp-Up Rate ( $T_L$ to $T_p$ )	3°C/S max
Liquidus Temperature ( $T_L$ )	217°C
Time Maintained Above Temperature( $T_L$ )	40S
Peak / Classification Temperature ( $T_p$ )	255°C
Time Within 5°C of Actual Temperature ( $t_p$ )	10-25s
Peak descent average speed	6°C/S max
Time 25°C to Peak Temperature	240S max

- ◇ Repair is not recommended when soldering is completed. Repair soldering is unavoidable, it must be checked and accepted after repairing, Preventing repair Destroy LEDS
- ◇ Reflow soldering should not be done more than two times;
- ◇ When soldering, do not put stress on the LEDs during heating;
- ◇ After welding, PCB can not be wrapped immediately, we should let the PCB board and the SMD-LED products cooling natural Term.



# About Xdlumen

Xdlumen is one of the leading experts manufacturer of high power LED in China. We committed to providing environmentally friendly products to the solid-state lighting mark. Xdlumen LEDs are compliant to the European Union directives on the restriction of hazardous substances in electronic equipment, namely the RoHS Directive 2011/65/EU and REACH Regulation (EC) 1907/2006. Let's make light excellent.

For more information about Xdlumen please visit:

[www.xdlumen.com](http://www.xdlumen.com)

## Contact US

6<sup>th</sup> floor, Building H, Jinchangda Industrial Zone, Shangwei, Zhangkengjing, Guanhu street,  
Longhua District, Shenzhen, China

Tel: +86-755-23775517

Fax : +86-755-23775517

[www.xdlumen.com](http://www.xdlumen.com)